

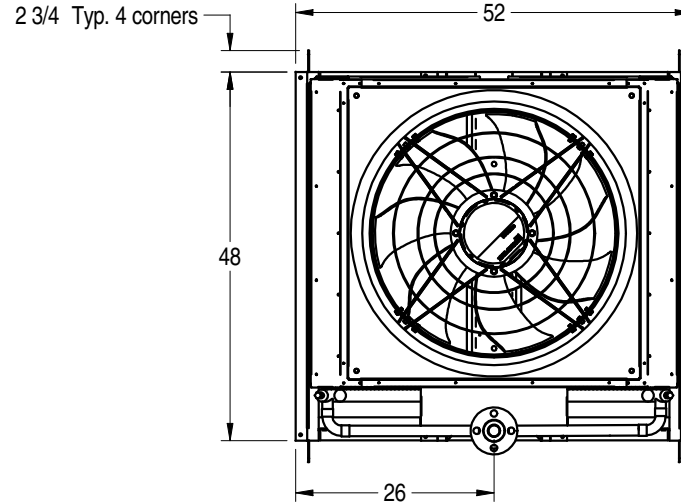
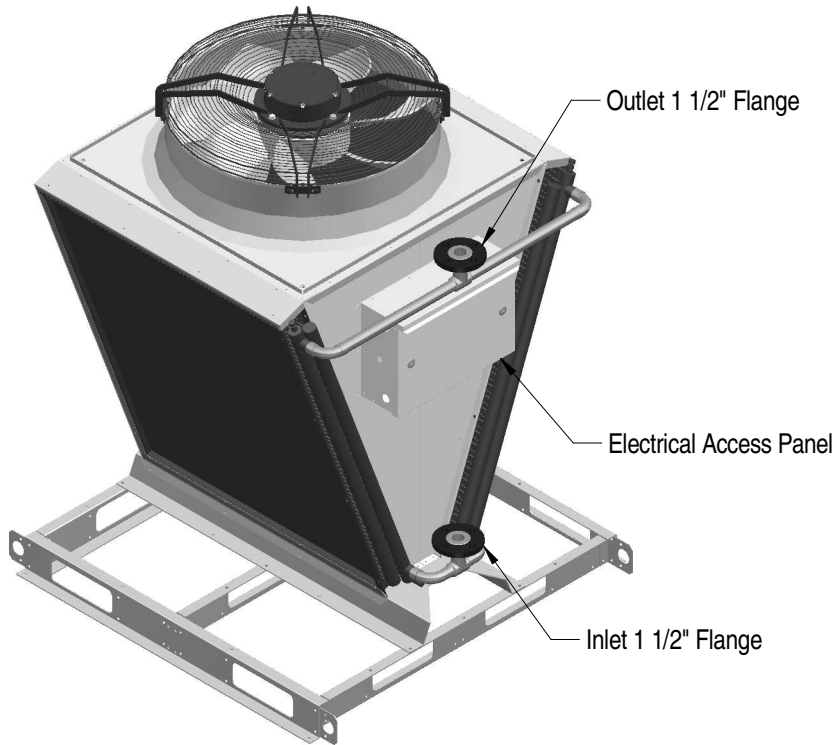
Model	Max. Fluid Flow 35 % Prop. Glycol (GPM)	Internal Fluid Volume (US gal.)	P.D. (ft. H2O)	Min. Circuit Ampacity (MCA)			Max. Fuse (MOP)			Noise Level* @ 30 ft. (dBA)
				230 V	460 V	575 V	230 V	460 V	575 V	
NG-V-11	50	6.2	14	12	5	4	20	15	15	61 / 69



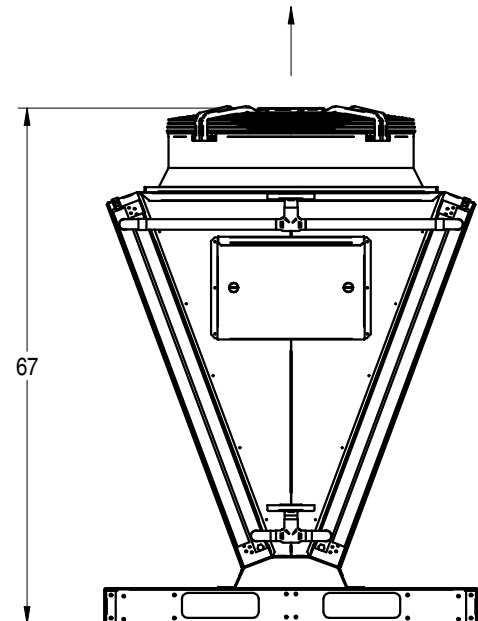
CAD FILE		NG-V-11	
DATE	05/30/16	REV	0
DRAWN BY	N. EUSTACHE	SHEET	1 OF 1

DESCRIPTION
NG-V VERTICAL AIR FLOW

*First value with fan running at low speed, second value at high speed.
 Values are for free field installation.
 Noise levels may vary due to installation factor.



96" of clearance required.



Important note:
 Minimum 36" of clearance all the way around for proper air flow.

UNIT OPERATING WEIGHT: 500 LBS