

Model	Max Fluid Flow 35 % Prop. Glycol (GPM)	External Available Pressure (ft)	Fluid Flow 35 % Prop. Glycol (GPM)	External Available Pressure (ft)	Min. Circuit Ampacity (MCA)			Max. Fuse (MOP)			Noise Level* @ 30 ft. (dBA)
					230 V	460 V	575 V	230 V	460 V	575 V	
NG-V-12	70	40	50	55	29.6	13.1	10.1	45	20	15	64 / 72

CAD FILE: NG-V-12 C/W Pump Kit

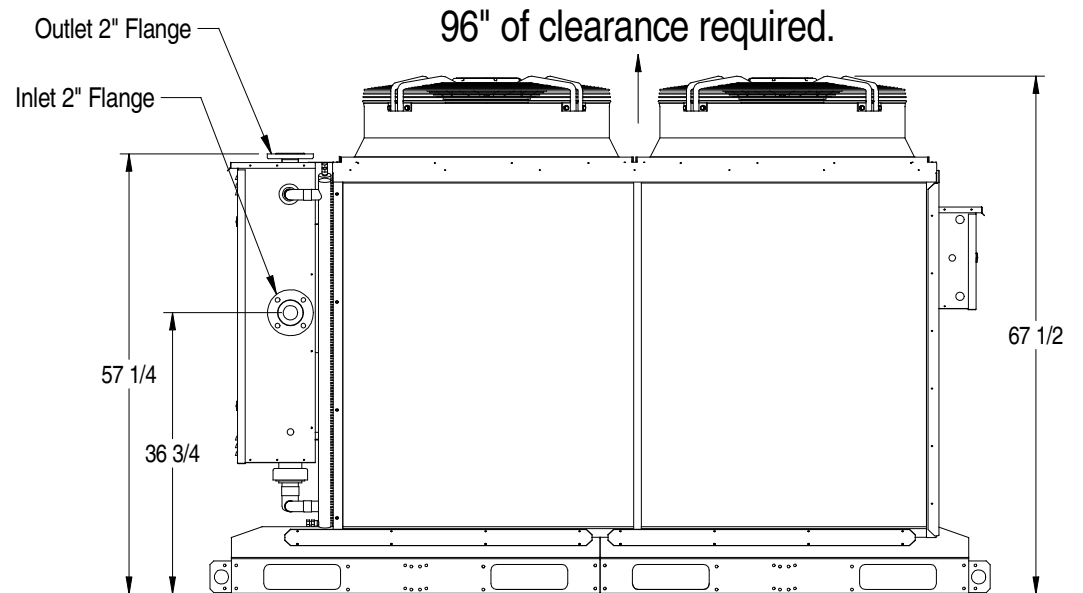
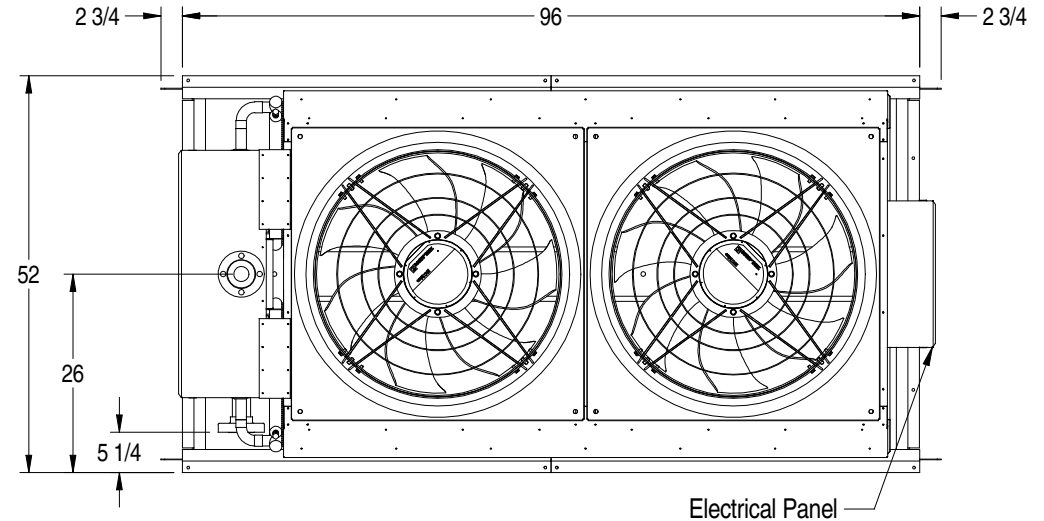
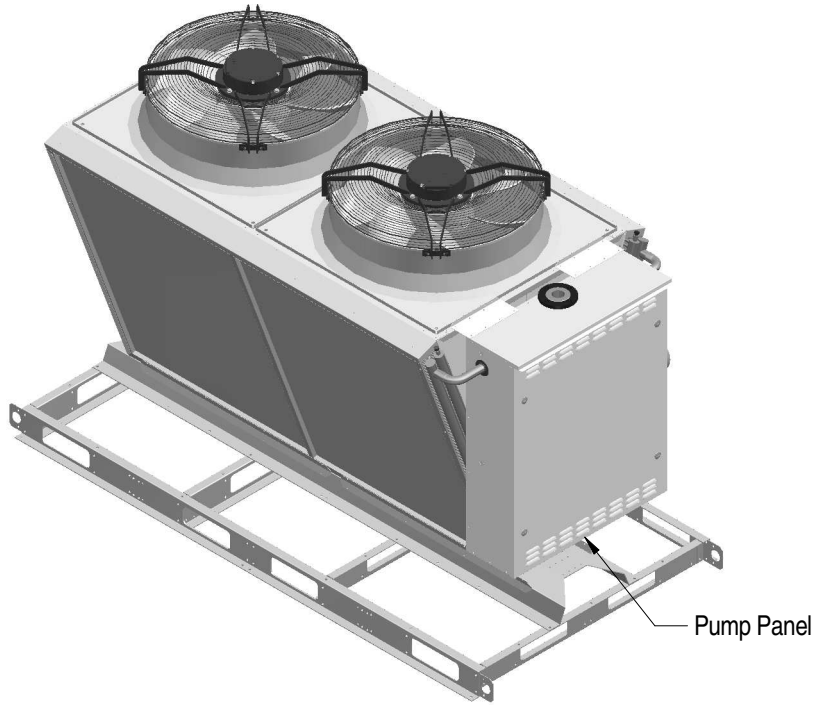
DATE: 05/27/16 REV: 0

DRAWN BY: Louis SHEET: 1 OF 1

DESCRIPTION: NG-V VERTICAL AIR FLOW, PUMP KIT

12.7 US gal. internal fluid volume.

*First value with fan running at low speed, second value at high speed.
 Values are for free field installation.
 Noise levels may vary due to installation factor.



Important note:
 Minimum 36" of clearance all the way around for proper air flow.

UNIT OPERATING WEIGHT: 1300 LBS