

Model	Max Fluid Flow 35 % Prop. Glycol (GPM)	External Available Pressure (ft)	Fluid Flow 35 % Prop. Glycol (GPM)	External Available Pressure (ft)	Min. Circuit Ampacity (MCA)			Max. Fuse (MOP)			Noise Level* @ 30 ft. (dBA)
					230 V	460 V	575 V	230 V	460 V	575 V	
NG-V-62	420	40	300	55	153.1	68.1	52.6	175	80	60	71 / 79



CAD FILE NG-V-62 CW Pump Kit rev00		
DATE	05/27/16	REV 0
DRAWN BY	Duc Tran	SHEET 1 OF 1

DESCRIPTION
NG-V VERTICAL AIR FLOW

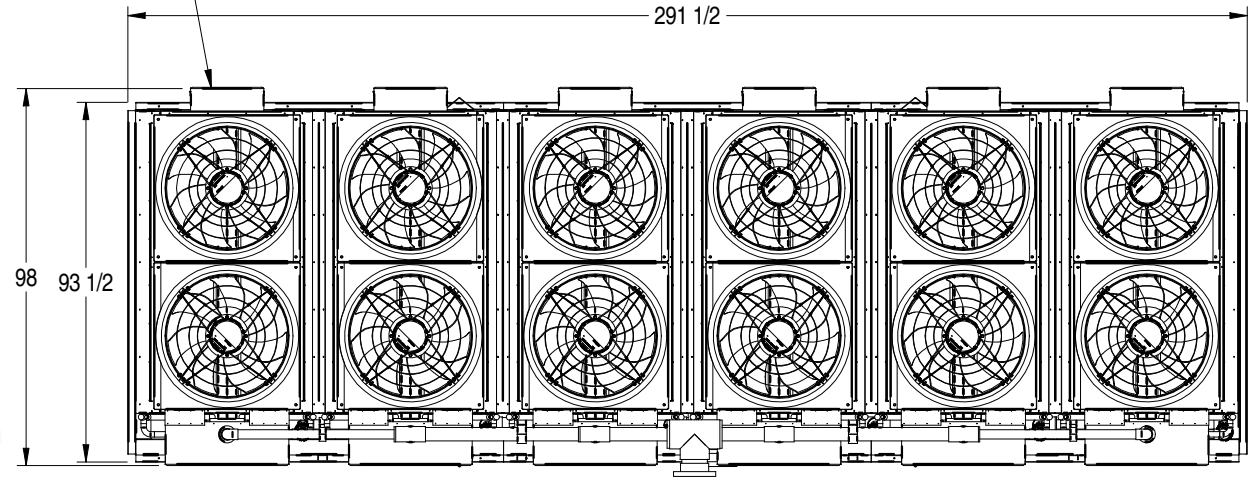
100.0 US gal. internal fluid volume.

*First value with fan running at low speed, second value at high speed.

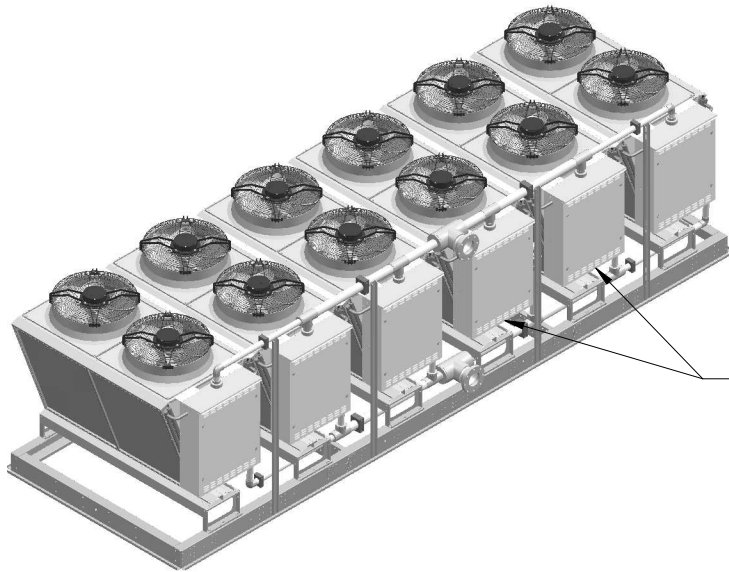
Values are for free field installation.

Noise levels may vary due to installation factor.

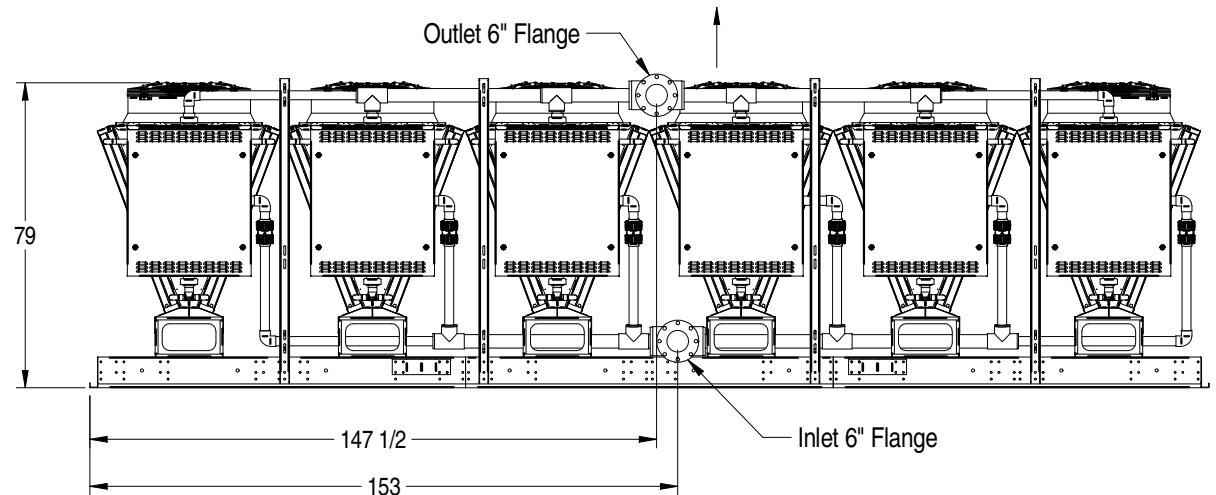
Electrical Panels



Pump Panels



96" of clearance required.



Important note:
Minimum 36" of clearance all the way around for proper air flow.

UNIT OPERATING WEIGHT: 7800 LBS