

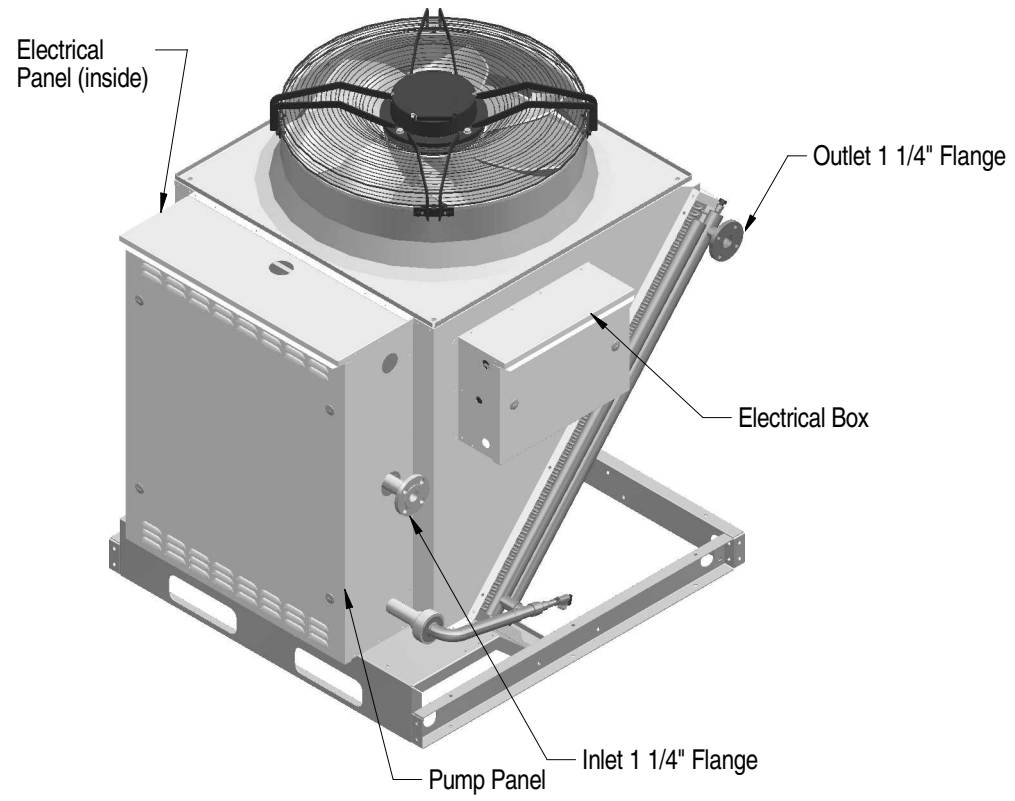
Model	Max Fluid Flow 35 % Prop. Glycol (GPM)	External Available Pressure (ft)	Fluid Flow 35 % Prop. Glycol (GPM)	External Available Pressure (ft)	Min. Circuit Ampacity (MCA)			Max. Fuse (MOP)			Noise Level* @ 30 ft. (dBA)
					230 V	460 V	575 V	230 V	460 V	575 V	
NG-V-01	25	18	20	22	17.4	7.9	6.1	25	15	15	61 / 69

seresco

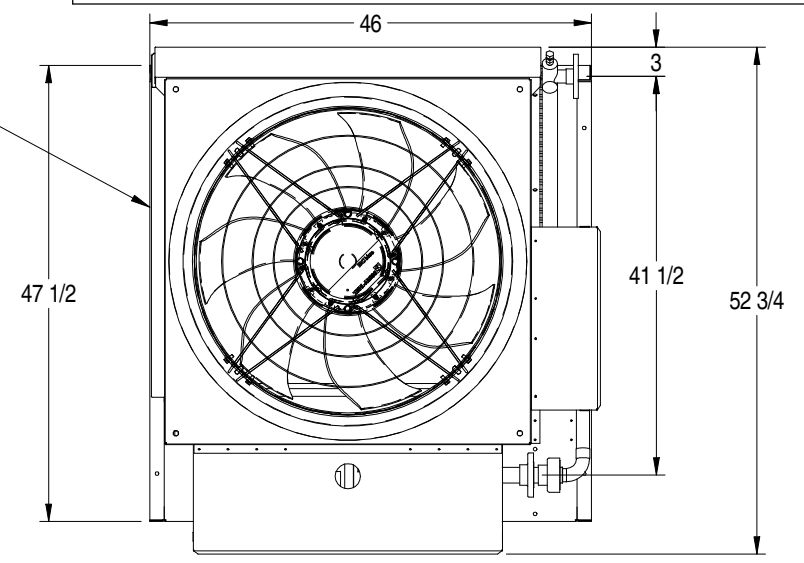
CAD FILE: NG-V-01(3-phases) CW Pump Kit rev00
 DATE: 05/30/16 REV: 0
 DRAWN BY: N. EUSTACHE SHEET: 1 OF 1

DESCRIPTION: NG-V VERTICAL AIR FLOW, PUMP KIT

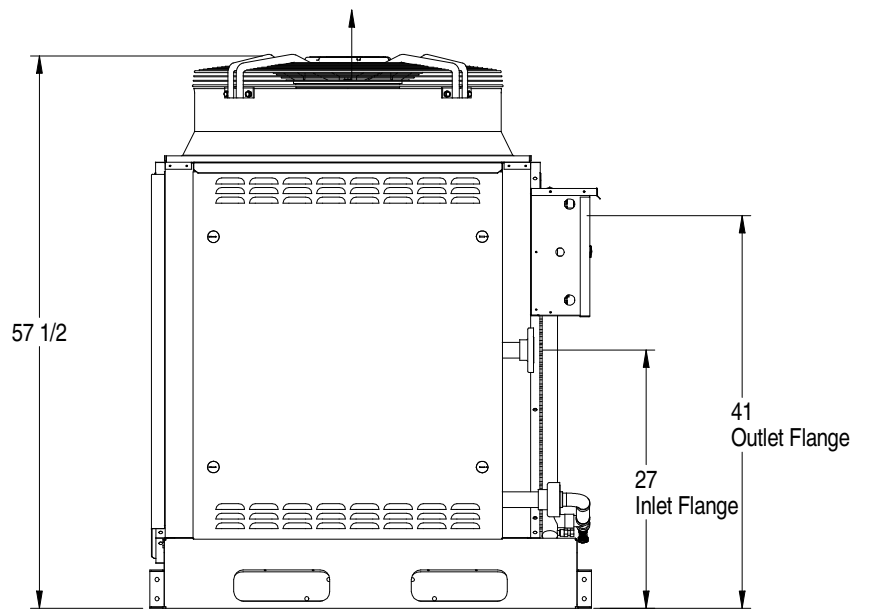
7.4 US gal. internal fluid volume.
 *First value with fan running at low speed, second value at high speed.
 Values are for free field installation.
 Noise levels may vary due to installation factor.



Airflow clearance can be reduced to 6" on this side only



96" of clearance required.



Important note:
 Minimum 36" of clearance all the way around for proper air flow.

UNIT OPERATING WEIGHT: 550 LBS