

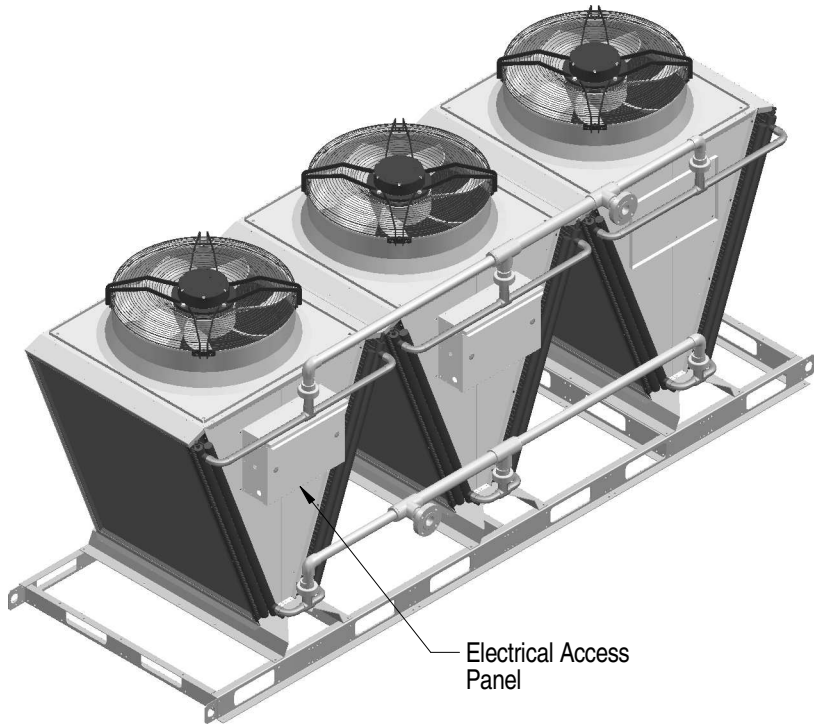
Model	Max. Fluid Flow 35 % Prop. Glycol (GPM)	Internal Fluid Volume (US gal.)	P.D. (ft. H <sub>2</sub> O)	Min. Circuit Ampacity (MCA)			Max. Fuse (MOP)			Noise Level* @ 30 ft. (dBA)
				230 V	460 V	575 V	230 V	460 V	575 V	
NG-V-31	150	21.0	19	34	15	11	50	20	15	65 / 73



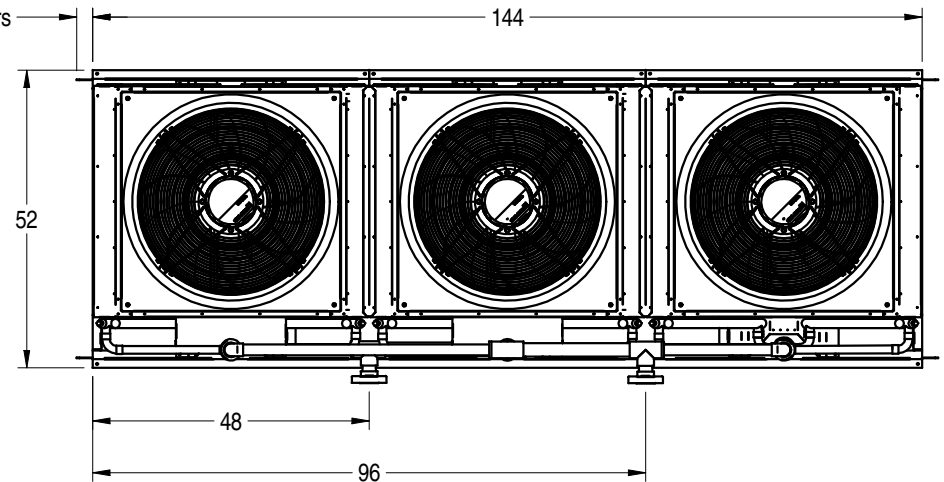
CAD FILE		
NG-V-31 rev02		
DATE	05/25/16	REV 0
DRAWN BY	N. EUSTACHE	
		SHEET 1 OF 1

DESCRIPTION  
NG-V VERTICAL AIR FLOW

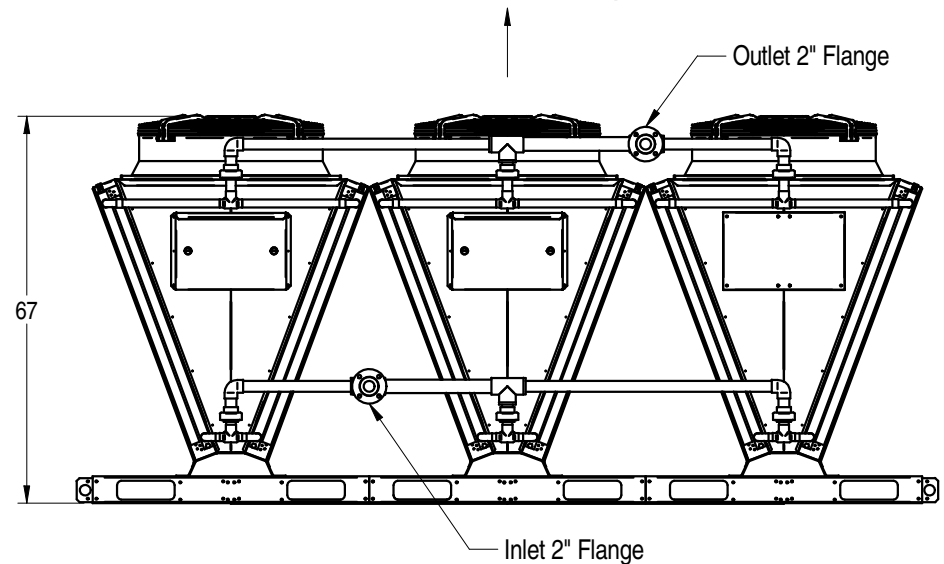
\*First value with fan running at low speed, second value at high speed.  
Values are for free field installation.  
Noise levels may vary due to installation factor.



2 3/4 Typ. 4 corners



96" of clearance required.



Important note:  
Minimum 36" of clearance all the way around for proper air flow.

UNIT OPERATING WEIGHT: 1500 LBS