

Model	Max Fluid Flow 35 % Prop. Glycol (GPM)	External Available Pressure (ft)	Fluid Flow 35 % Prop. Glycol (GPM)	External Available Pressure (ft)	Min. Circuit Ampacity (MCA)			Max. Fuse (MOP)			Noise Level* @ 30 ft. (dBA)
					230 V	460 V	575 V	230 V	460 V	575 V	
NG-V-42	280	40	200	55	103.7	46.1	35.6	125	50	40	69 / 77

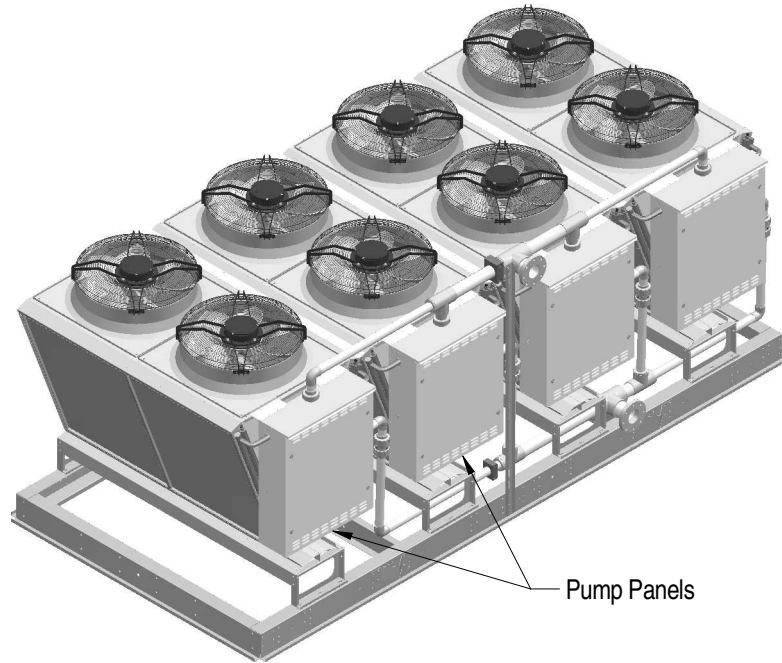


CAD FILE NG-V-42 CW Pump Kit rev00		
DATE	05/27/16	REV 0
DRAWN BY	Duc Tran	SHEET 1 OF 1

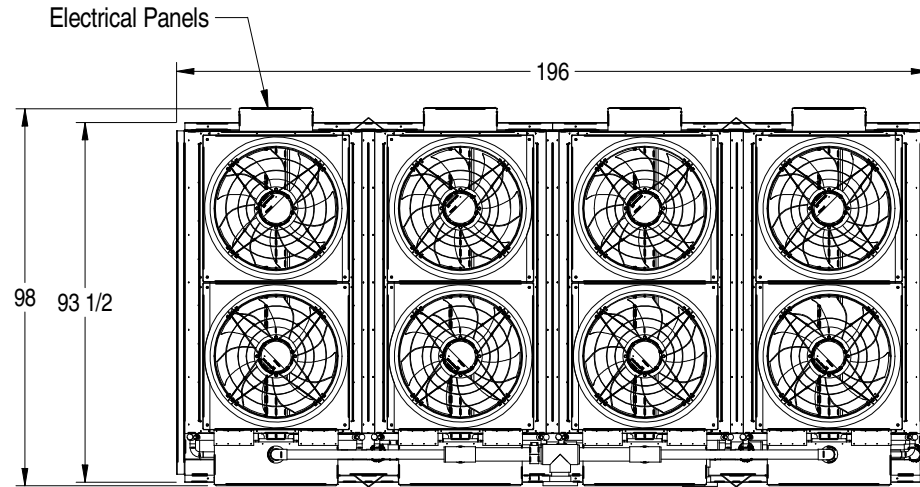
DESCRIPTION
NG-V VERTICAL AIR FLOW

67.0 US gal. internal fluid volume.

*First value with fan running at low speed, second value at high speed.
Values are for free field installation.
Noise levels may vary due to installation factor.

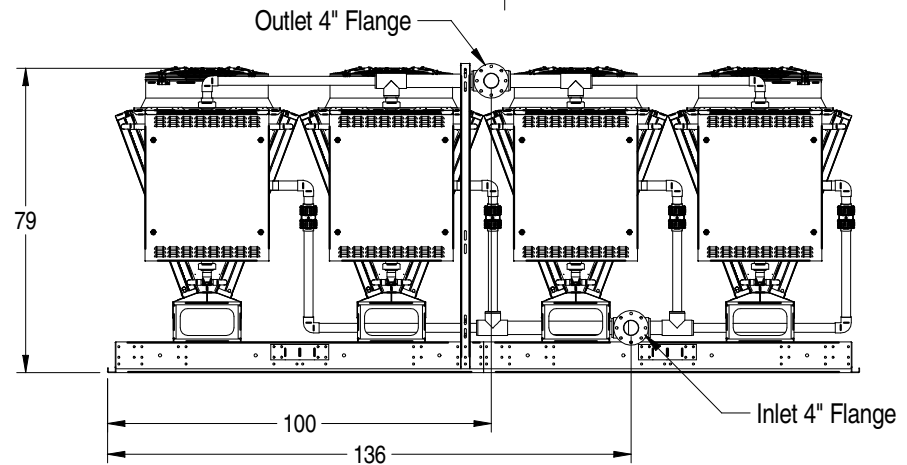


Pump Panels



Electrical Panels

96" of clearance required.



Important note:
Minimum 36" of clearance all the way around for proper air flow.

UNIT OPERATING WEIGHT: 5200 LBS