

Model	Max Fluid Flow 35 % Prop. Glycol (GPM)	External Available Pressure (ft)	Fluid Flow 35 % Prop. Glycol (GPM)	External Available Pressure (ft)	Min. Circuit Ampacity (MCA)			Max. Fuse (MOP)			Noise Level* @ 30 ft. (dBA)
					230 V	460 V	575 V	230 V	460 V	575 V	
NG-V-52	350	40	250	55	128.4	57.1	44.1	150	70	50	71 / 79



CAD FILE NG-V-52 CW Pump Kit rev00		
DATE	05/27/16	REV 0
DRAWN BY	Duc Tran	SHEET 1 OF 1

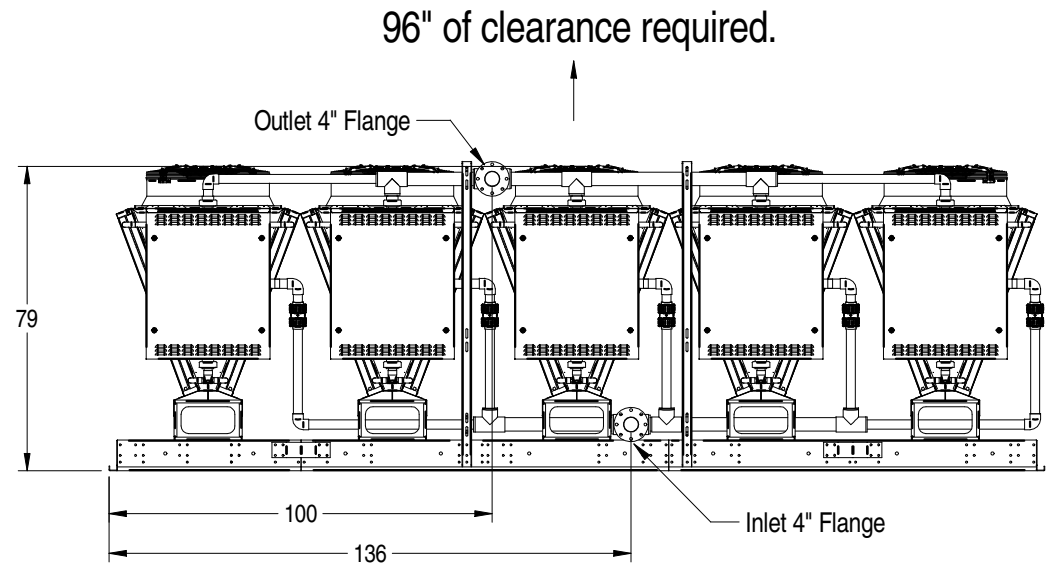
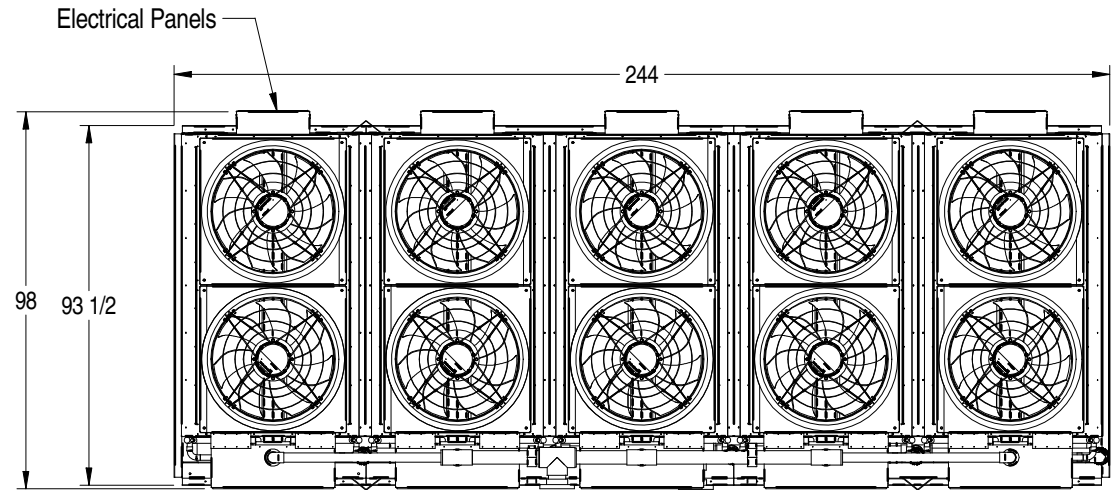
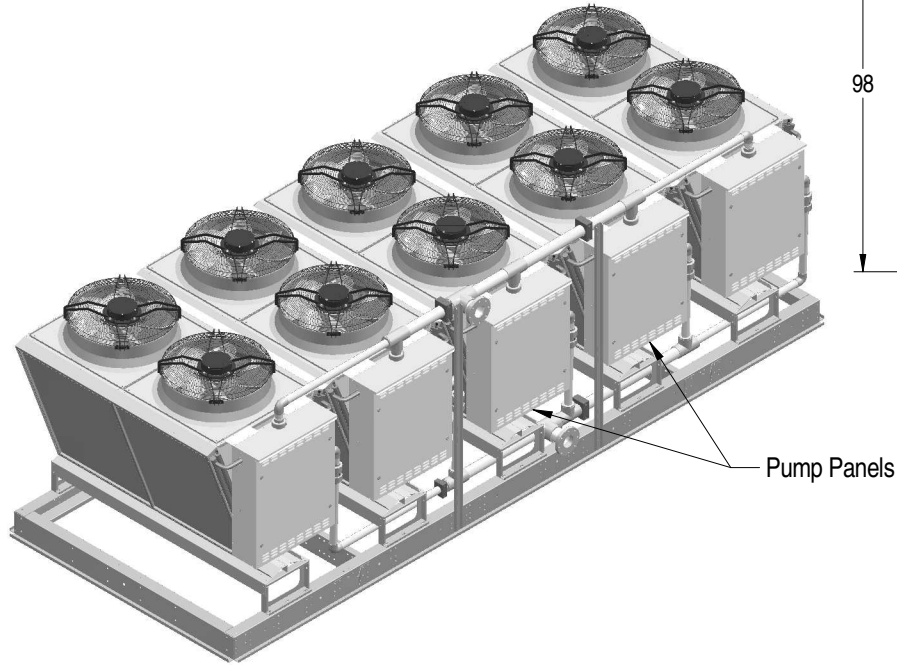
DESCRIPTION
NG-V VERTICAL AIR FLOW

83.0 US gal. internal fluid volume.

*First value with fan running at low speed, second value at high speed.

Values are for free field installation.

Noise levels may vary due to installation factor.



Important note:
Minimum 36" of clearance all the way around for proper air flow.

UNIT OPERATING WEIGHT: 6500 LBS