

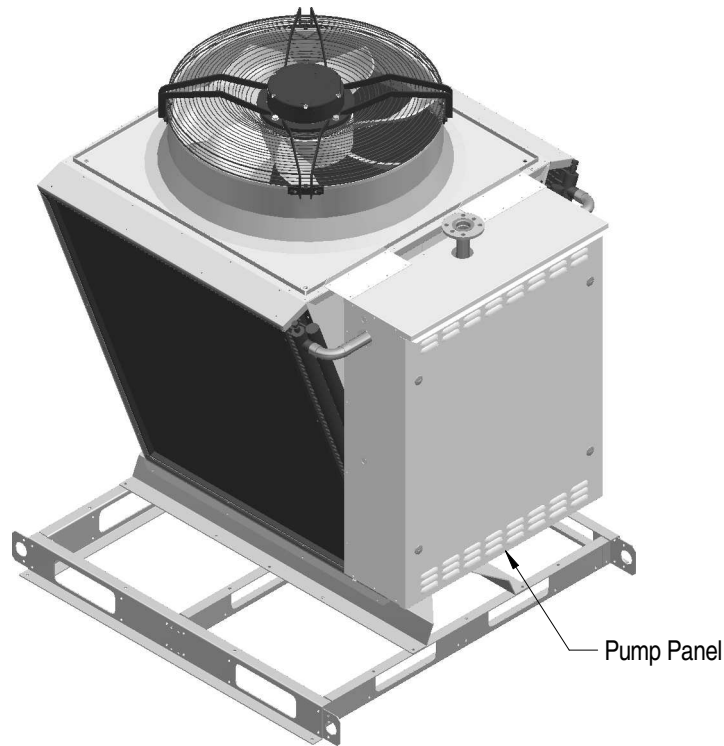
Model	Max Fluid Flow 35 % Prop. Glycol (GPM)	External Available Pressure (ft)	Fluid Flow 35 % Prop. Glycol (GPM)	External Available Pressure (ft)	Min. Circuit Ampacity (MCA)			Max. Fuse (MOP)			Noise Level* @ 30 ft. (dBA)
					230 V	460 V	575 V	230 V	460 V	575 V	
NG-V-11	45	55	35	65	17.4	7.9	6.1	25	15	15	64 / 72


7.4 US gal. internal fluid volume.

*First value with fan running at low speed, second value at high speed.

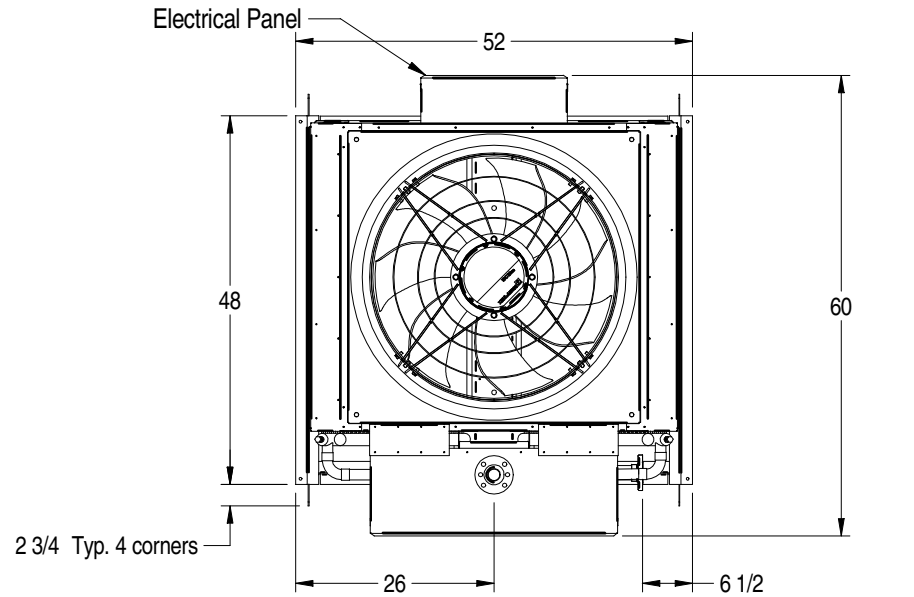
Values are for free field installation.

Noise levels may vary due to installation factor.

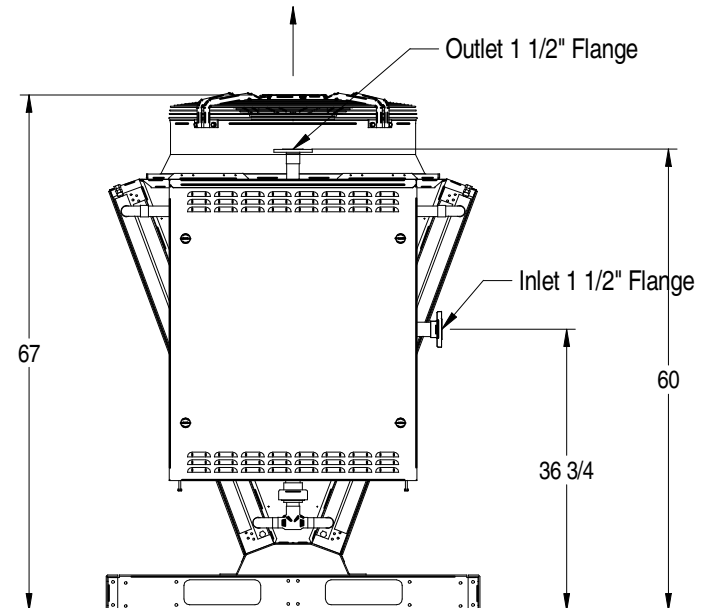


	CAD FILE NG-V-11 C/W Pump Kit	
	DATE 05/30/16	REV 0
	DRAWN BY N. EUSTACHE	SHEET 1 OF 1

DESCRIPTION
NG-V VERTICAL AIR FLOW, PUMP KIT



96" of clearance required.



Important note:
Minimum 36" of clearance all the way around for proper air flow.

UNIT OPERATING WEIGHT: 650 LBS