

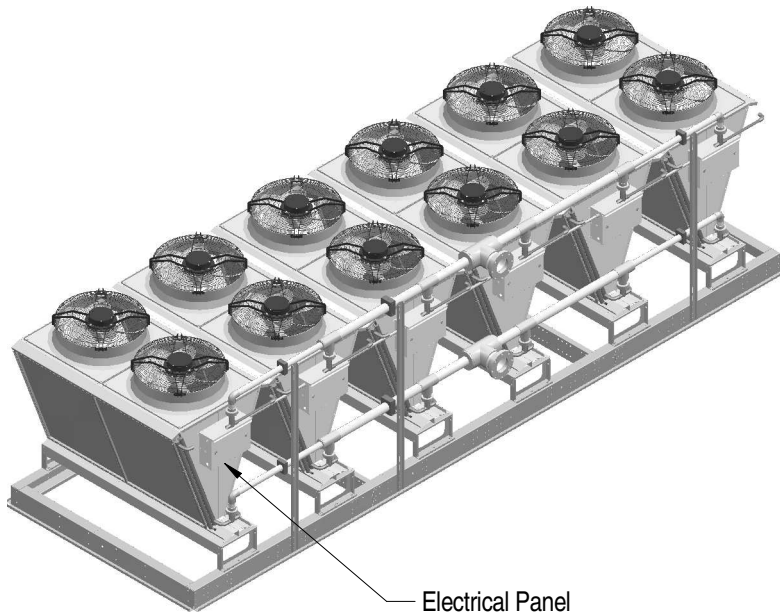
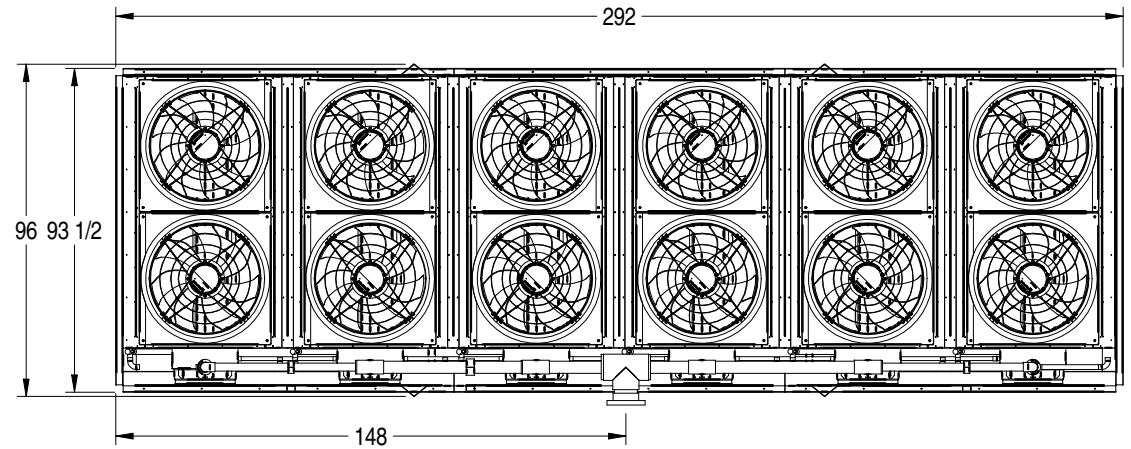
Model	Max. Fluid Flow 35 % Prop. Glycol (GPM)	Internal Fluid Volume (US gal.)	P.D. (ft. H2O)	Min. Circuit Ampacity (MCA)			Max. Fuse (MOP)			Noise Level* @ 30 ft. (dBA)
				230 V	460 V	575 V	230 V	460 V	575 V	
NG-V-62	480	76.0	28	121	53	40	125	60	45	71 / 79



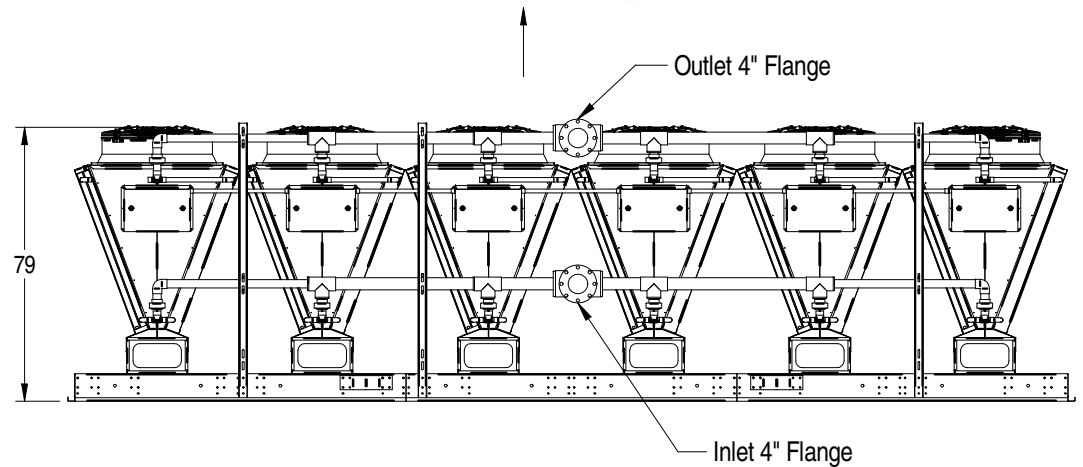
CAD FILE		
NG-V-62 rev02		
DATE	05/30/16	REV 0
DRAWN BY	N. EUSTACHE	
		SHEET 1 OF 1

DESCRIPTION  
NG-V VERTICAL AIR FLOW

\*First value with fan running at low speed, second value at high speed.  
Values are for free field installation.  
Noise levels may vary due to installation factor.



96" of clearance required.



Important note:  
Minimum 36" of clearance all the way around for proper air flow.

UNIT OPERATING WEIGHT: 7200 LBS